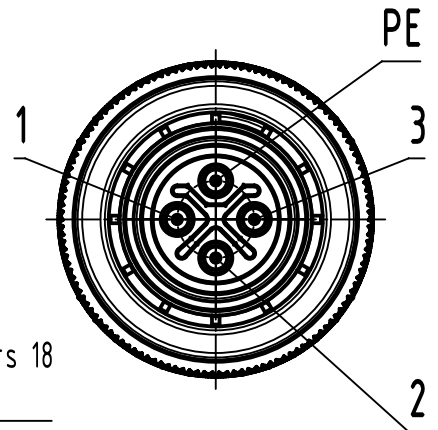
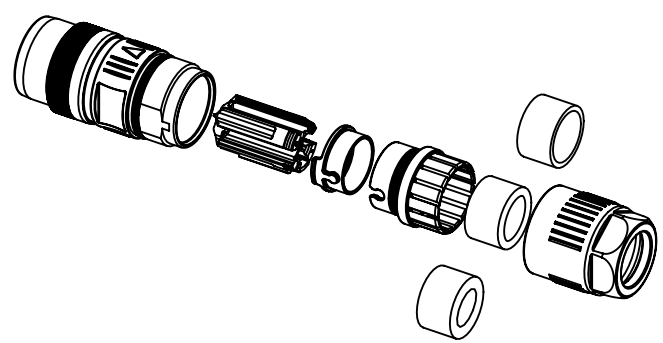


contact face
acc. to IEC 61076-2-111
A (2:1)



order contacts separately

5,1-10,1mm	2,5mm ² / AWG14	21 01 100 9938
	1,5mm ² / AWG16	21 01 100 9937
	0,75mm ² / AWG19	21 01 100 9963
	0,5mm ² / AWG20	21 01 100 9962
cable Ø	wire gauge	4 x male contact part number



	All Dimensions in mm Original Size DIN A4	Scale 1:1	Free size tol.		Ref.
	All rights reserved Department EL PD	Created by SERBANA	Inspected by MICLAUS	Standardisation ROEBEN	Date 2022-02-15
HARTING D-32339 Espelkamp		Title M12-P-PP-CC-CRIMP-4P-S COD-M-STR-SHLD			Doc-Key / ECM-Nr. 100793124/UGD/001/C 500000211668
		Type TB	Number 21038961425		Rev. C Page 1/1